

FT21Series - electric ball valve

Product overview

FT21 series large torque electric ball valve is suitable for on-off control of water system at room temperature. It consists of two parts: actuator and valve body. The driver is connected with the ball valve body by the quick release lock ring. The product is mainly used in HVAC heating and on and off control of water supply system. The valve body is cast brass.

Product features

- Within certain size, the structure is simple and the operation is simple
- Light weight, small installation space
- The valve can be opened and closed quickly
- Has the lowest flow resistance
- Large torque

Drive parameters

The motor type	Dc motor	The power cord length	300mm
The action time	10S	The connection method	Pipe thread G
Shut down the differential	≤1.6Mpa	Nominal pressure	Pn16
Medium temperature	12~95°C	The torsion	25/40Nm
Power consumption	15W(when valve is open only)	IP	65
Applicable medium	Cold, hot water or 50% ethanol solution		
Electrical specifications	24VAC/110VAC/220VAC/24VDC		

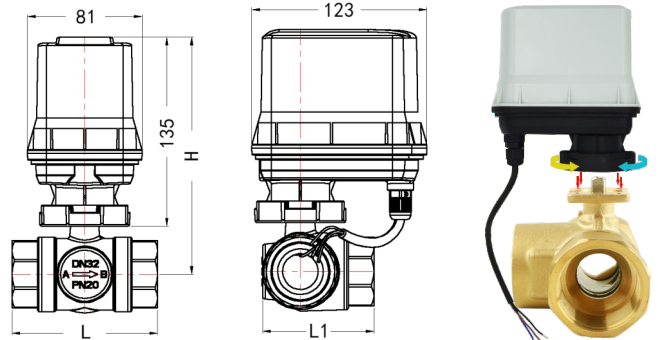
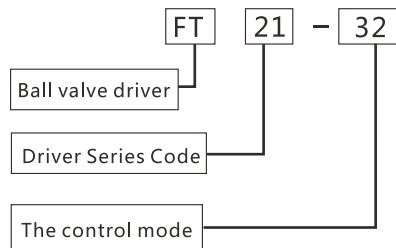
Body parameters

Product specification	CAL	Product size mm			Kv value Mpa	The net weight KG
		H	L	L1		
two-way	D N 15(1/2)	173	60		2.5	0.54
	D N 20(3/4)	177	68		4	0.89
	D N 25(1)	183	89		10	1.28
	D N 32(1-1/4)	192	102		16	1.34
	D N 40(1-1/2)	194	113		25	1.74
	D N 50(2)	205	125		40	2.24
three-way	D N 15(1/2)	172	60	47	2.5	0.61
	D N 20(3/4)	179	67	46	6.3	0.96
	D N 25(1)	183	89	62	10	1.24
	D N 32(1-1/4)	187	100	75	16	1.54
	D N 40(1-1/2)	191	109	80	25	1.92
	D N 50(2)	193	123	105	40	2.79

Photos shown



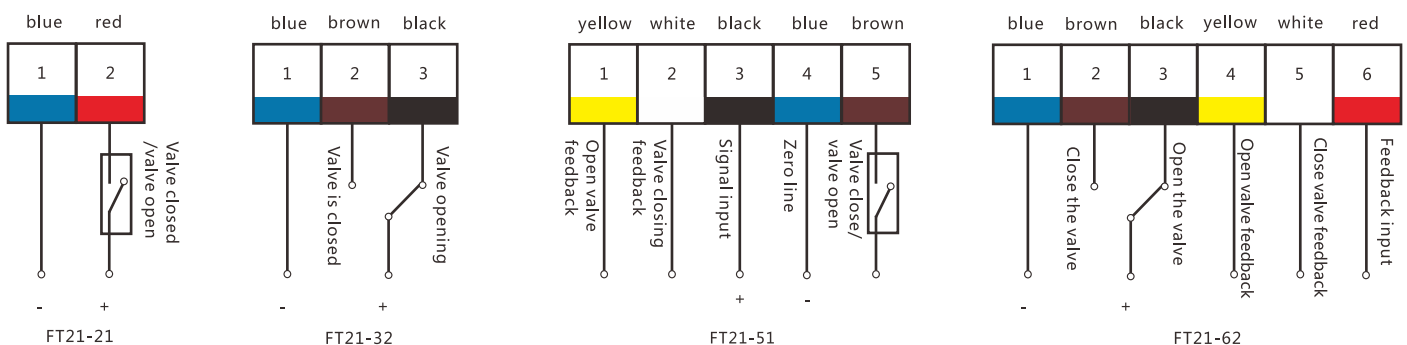
Selection of instructions



The product type

Product model	The control mode	works
FT21-21/51	Two line one control (normally open, normally closed)	The driver is a DC motor drive, normally open or normally closed circuit is controlled, when the valve is opened or closed in place, the internal drive automatically power off, when the external circuit is cut off, the internal capacitor discharge, so that the valve is closed or opened./ Open or close in place with signal feedback.
FT21-32	Three line two	The driver is driven by a DC motor, the open or close valve circuit is supplied separately, and the driver is driven when the open or close valve is in place Automatic power off inside the device.
FT21-62	Three line two control belt feedback	The driver is driven by a DC motor, the open or close valve circuit is supplied separately, and the driver is driven when the open or close valve is in place Automatic power off inside the device. Voltage feedback signal after on or off in place

Wiring graphic



Two line one control (Normally open/ normally closed type)

Wiring diagram of three lines and two controls

Two-wire one control passive signal feedback (normally closed)

Three wire two control passive feedback wiring diagram