

FT2015 Series-Manual-integrated quick-load electric ball valve

FT2015S Series - Damper Actuator

product description

Electric ball valve is a series of electric regulating ball valve which is composed of electric actuator and caliber DN15-DN50 electric ball valve body. It is widely used in air conditioning, refrigeration, heating and other building automatic control systems. medium flow, so as to achieve the purpose of controlling temperature, pressure and energy saving.

Analog characteristics

After the verification is completed, the valve angle will be adjusted according to the signal input voltage signal; if there is no signal input, the valve will be closed;

Features

- Equal percentage flow characteristics
- Body is forged brass
- 600KPA closing differential pressure, PN20 valve body pressure
- The actuator can be assembled in 4 directions, making wiring and maintenance easier
- Built-in micro switch in-position power-off function, longer motor life
- The actuator is easy to disassemble and install. It can be installed after the equipment and pipeline are installed.
- The closing pressure difference is large, the closing is strict, and the valve is opened flexibly, which can effectively prevent water hammer
- Passive feedback function (optional)

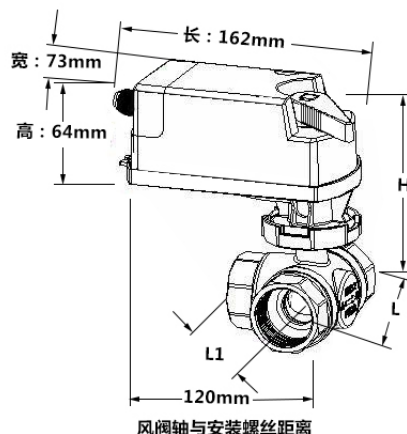
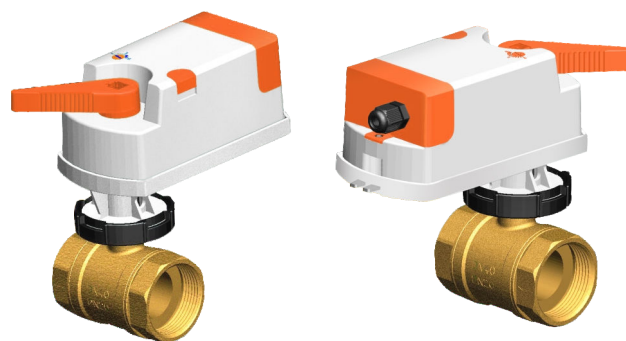
Drive parameters

medium	Cold/Hot Water & 50% Ethylene Glycol
operating mode	Analog regulation or on/off type
control signal input	0-10V/4-20mA
Feedback signal output	0-10V/4-20mA
medium temperature	5°C-95°C
Power consumption	50/60Hz/6W (only when the valve is open)
Voltage	AC/DC24V AC110V AC220V
Torque	20/10Nm
Action time	60/125s

Body parameters

Product Specifications	caliber	Product size (mm)			Kv value $\frac{3}{M/H}$	net weight KG
		H	L	L1		
two-way	D N 20(3/4)	131	68		4	1.45
	D N 25(1)	137	89		10	1.64
	D N 32(1-1/4)	141	102		16	1.91
	D N 40(1-1/2)	146	113		25	2.3
	D N 50(2)	158	125		40	2.8
three-way	D N 20(3/4)	132	67	32	6.3	1.52
	D N 25(1)	136	89	46	10	1.8
	D N 32(1-1/4)	140	100	49	16	2.1
	D N 40(1-1/2)	147	109	52	25	2.48
	D N 50(2)	149	123	71	40	3.35

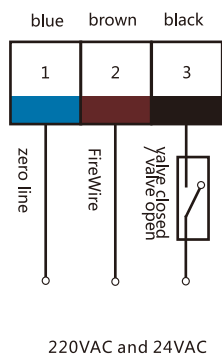
photo illustration



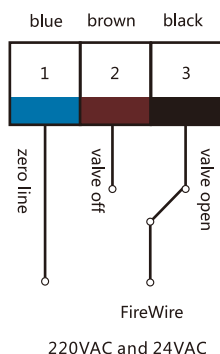
风阀轴与安装螺丝距离

Distance between damper shaft and mounting screw

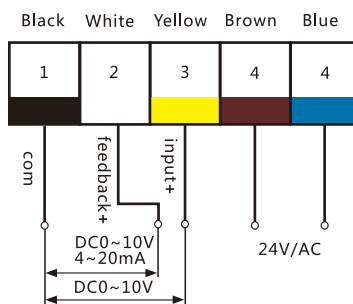
Wiring Diagram



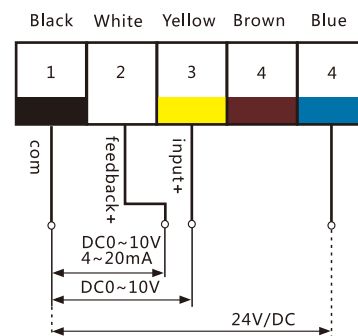
Three wires and one control (normally open/ normally closed type)



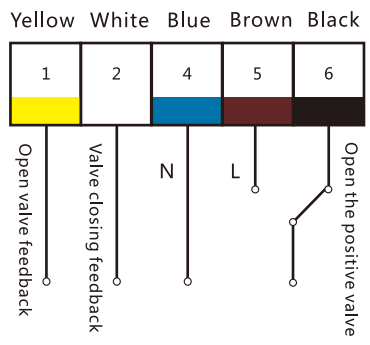
Three-wire two-control wiring diagram



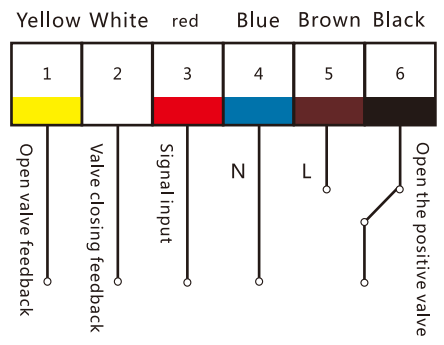
AC24V Analog Wiring Diagram



DC24V Analog Wiring Diagram



Three wire two control active signal feedback



Three wire two control passive signal feedback