

FT2011 Series - electric ball valve

Product structure

FT2011 series electric ball valve is suitable for on-off control of HVAC water system. It is composed of two parts: actuator and valve body. Drive using synchronous motor, constant action, Built-in limit contactor, can make the valve fully open or fully closed power off, the valve body is cast brass.

Product advantage

- Within certain size, the structure is simple and the operation is simple
- Light weight, small installation space
- Has the lowest flow resistance
- The valve can be opened and closed quickly

Drive parameters

The motor type	Synchronous motor	The power cord length	300mm
The action time	About 15 seconds	The connection method	Pipe thread G
Shut down the differential	≤0.6Mpa	Nominal pressure	PN16
Medium temperature	15-95°C		
Power consumption	6W (when valve is open only)		
Applicable medium	Cold, hot water or 50% ethanol solution		
Electrical specifications	(50/60Hz) VAC100-230 VAC/VDC9-30		

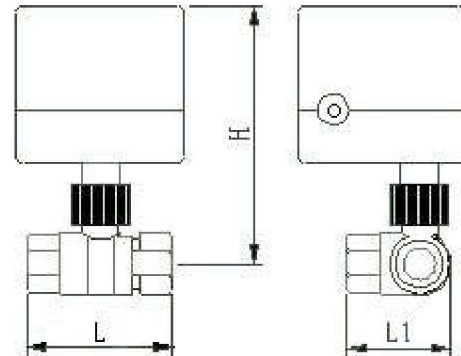
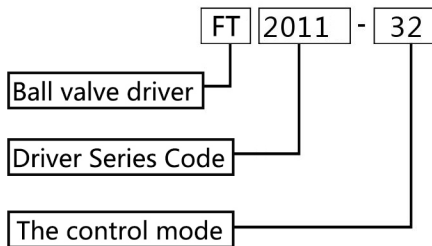
Body parameters

Product specification	CAL	Product size (mm)			KV value Mpa	The net weight KG
		H	L	L1		
two-way	DN15(1/2)	110	50		12	0.15
	DN20(3/4)	114	55		17	0.21
	DN25(1)	120	65		20	0.3
	DN32(1-1/4)	125	74		25	0.54
	DN40(1-1/2)	130	82		31	0.6
	DN50(2)	140	98		37	1.18
three-way	DN15(1/2)	106	56	43	12	0.21
	DN20(3/4)	115	68	56	17	0.35
	DN25(1)	120	83	63	20	0.54
	DN32(1-1/4)	123	104	80	25	1.03
	DN40(1-1/2)	130	124	99	31	1.94

Photos shown



Selection of instructions



Product model

Product model	The control mode	works
FT2011-31	Three-line one-control (normally open/normally closed)	The driver is driven by a one-way synchronous motor, the fire line and the zero line circuit direct power supply, normally open or normally closed circuit controlled, open valve or close valve in place when the internal drive automatically power off.
FT2011-32	Three-Line Two-control	The driver is driven by bidirectional synchronous motor. The open valve or close valve circuit provides power separately. When the open valve or close valve is in place, the internal power of the driver will be automatically cut off.
FT2011-52	Three-Line Two-control (with feedback)	The driver is driven by bidirectional synchronous motor, and the circuit of opening or closing valve is supplied separately. When the opening or closing valve is in place, the internal power of the driver will be automatically cut off, and the voltage feedback signal will be provided after the opening or closing valve is in place.

Wiring description

