

FT-S24/12 Series-electric ball valve

Product Structure

FT-S24/12 series electric ball valve adopts metal connecting head to be closely connected with the ball valve body, the quality is reliable. Products are mainly used in central heating, water supply system On-off control. It is composed of two parts: drive and valve body, drive by DC motor, constant action, built-in stroke limit switch, can make the valve fully open or fully closed Without electricity. The valve body is forged with brass and sand surface treatment.

Product advantages

- Within a certain size, simple structure and easy operation
- Light weight and small installation space
- The valve can be quickly opened and closed.
- Has the lowest flow resistance

Driver parameters

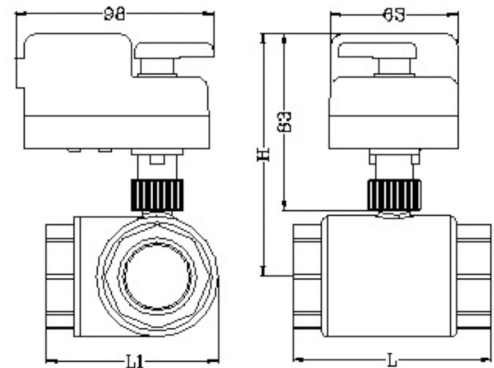
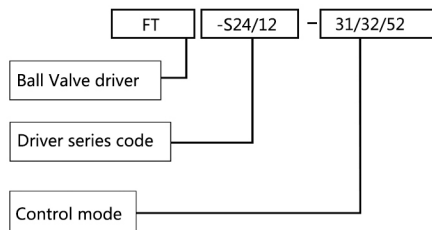
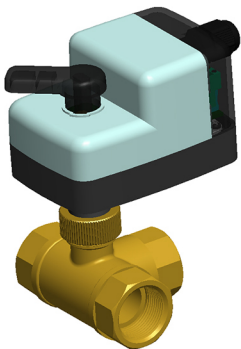
Motor type	DC motor	Medium temperature	15~95°C
Action Time	About 10 seconds	Torque	15N.m
Differential pressure	0.4Mpa	Nominal pressure	PN16~PN20
Power cord length	Self-equipped 0.5 square wire		
Power consumption	2W (only when the valve is open)		
Applicable medium	Cold, hot water or 50% ethanol solution		
Electrical specifications	(50/60Hz) DC24V/DC12V/DC5V		
Link method	Pipe Thread G		

Valve body parameters

Product specifications	Caliber	Product Size (mm)			Kv value Mpa	Net Weight KG
		H	L	L1		
two-way	DN15(1/2)	105	50		12	0.15
	DN20(3/4)	107	55		17	0.21
	DN25(1)	123	65		20	0.3
	DN32(1-1/4)	125	74		24	0.54
	DN40(1-1/2)	130	82		30	0.6
	DN50(2)	111	98		37	1.18
three-way	DN15(1/2)	106	56	42	12	0.21
	DN20(3/4)	110	68	52	17	0.35
	DN25(1)	115	83	64	20	0.54
	DN32(1-1/4)	123	104	79	25	1.03
	DN40(1-1/2)	130	124	96	31	1.95

Photo diagram

Selection description



Product Model

Product Model	Control mode	Operating principle
FT-S24/12-31	Three-line one-control (normally open/normally closed)	The driver is driven by a DC motor. The positive and negative circuits directly supply power. The normally open or normally closed circuits are controlled. When the valve is opened or closed, the driver automatically loses power and the indicator light of the valve body is on.
FT-S24/12-32	Three-Line Two-control	The driver is driven by a DC motor, and the negative circuit directly supplies power. The circuit of opening and closing the valve is controlled separately and alternately. When the opening or closing valve is in place, the driver automatically loses power and the indicator light of the valve body is on.
FT-S24/12-52	Three-Line Two-control (with feedback)	The driver is driven by a DC motor, and the negative circuit is directly Powered. The circuit of opening and closing the valve is controlled separately and alternately. When the opening or closing valve is in place, the internal power of the driver is automatically cut off, at the same time, feedback the voltage of the control valve on or off, and the indicator light of the valve body in place is on

Wiring description

