

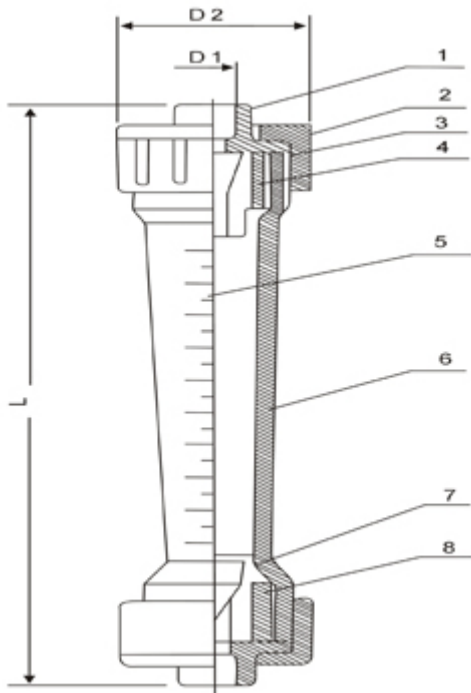
Plastic Tube Flow Meter LZS Series



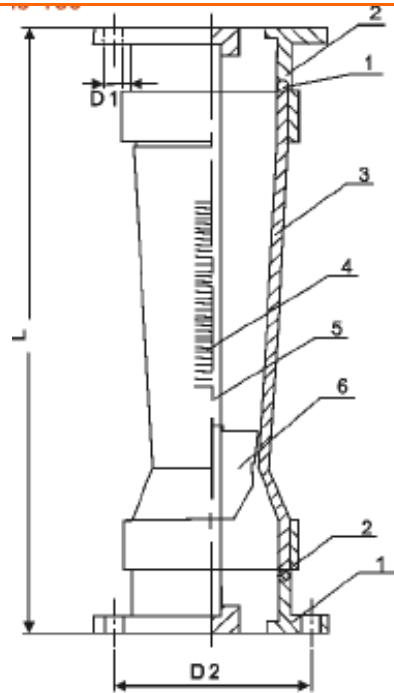
Model	Size mm (inch)	Measuring Range (Water)		Accuracy (±%)	Working Temperature	Working Pressure
		Long Tube Type	Short Tube Type			
LZS-15	15 (1/2")	10-100 l/h 16-160 l/h 25-250 l/h 40-400 l/h 60-600 l/h	5-50 l/h 10-100 l/h 16-160 l/h 25-250 l/h 40-400 l/h 50-500 l/h 60-600 l/h 100-1000 l/h	4	0°C to +60°C	6 Bar
LZS-25	25 (1")	100-1000 l/h 160-1600 l/h 250-2500 l/h	100-1000 160-1600 4-40 l/min 250-2500 l/h			
LZS-32	32 (1 ¼")		0.4-4 m ³ /h 0.6-6 m ³ /h			
LZS-50	50 (2")	0.4-4 m ³ /h 0.6-6 m ³ /h 1-10 m ³ /h 1.6-16 m ³ /h	1-10 m ³ /h 1.6-16 m ³ /h			
LZS-65	65(2 ½")		2.5-16 m ³ /h 5-25 m ³ /h 8-40 m ³ /h 12-60 m ³ /h			
LZS-100 [Flange]	100(4")		14-90 m ³ /h 18-120 m ³ /h			
LZS-125 [Flange]	125(5")		25-150 m ³ /h 25-180 m ³ /h			
LZS-150 [Flange]	150(6")		14-90 m ³ /h 18-120 m ³ /h 25-150 m ³ /h 25-180 m ³ /h 25-200 m ³ /h			

Plastic Tube Flow Meter LZS Series

Dimensions :



Model LZS-15, LZS-25, LZS-32, LZS-50, LZS-65



Model LZS-100, LZS-125, LZS-150

Part No.	Description	Part No.	Description
1	Joint Pipe	1	Flange
2	Screw Cap	2	O-Ring
3	O-Ring	3	Tube
4	Stop Plate Up	4	Scale
5	Scale	5	Leader
6	Tube	6	Float
7	Float		
8	Stop Plate Up		

Model	Long Tube Type			Short Tube Type		
	L	D1	D2	L	D1	D2
LZS-15	280	20	45	202	20	45
LZS-25	380	32	68	226	32	60
LZS-32				288	40	74
LZS-50	430	63	98	341	63	98
LZS-65				430	75	122
LZS-100				550	17	175
LZS-125				550	17	175
LZS-150				560	21	240