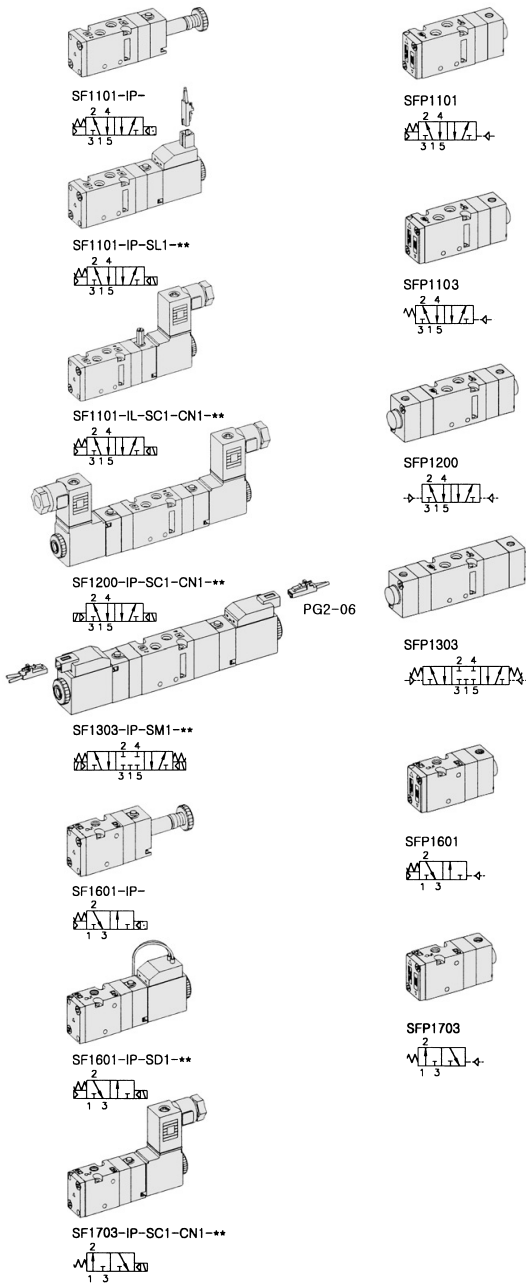


SF1000. M5

"F" FLEXIBLE Series
Solenoid / Pneumatic Valves

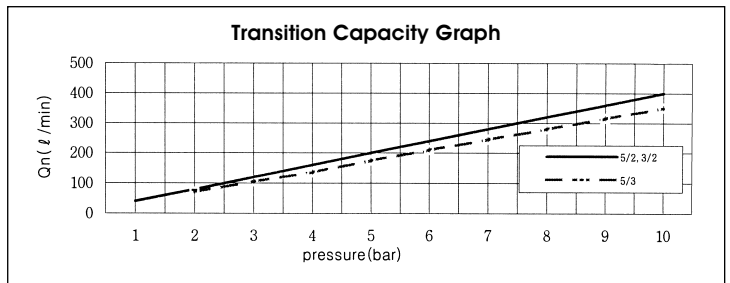
- 5/2, 5/3, 3/2 - M5
- 15mm Body Width
- Transition Flow 200ℓ/min (5bar)



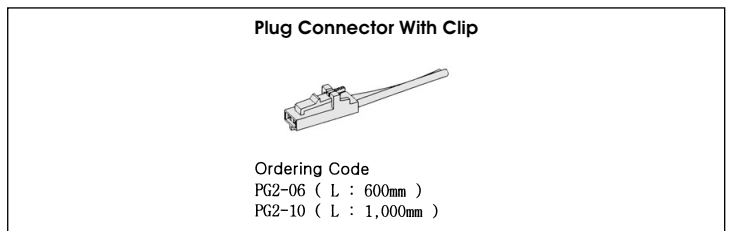
** : Voltage Selection (see page 62)

SPECIFICATION

ITEM	SERIES	SOLENOID, PNEUMATIC	
		FUNCTION	
		3, 5 Port 2 Position	5 Port 3 Position
Fluids		Compressed Air & Inert Gases	
Pressure(bar)		1.5~10.0	2.0~10.0
Eff. Sectional Area(mm ²)-5bar		3.6	3.0
Ambient & Fluid Temp.		5~60°C (41~140°F)	
Response Time(5bar)		25ms or Less	35ms or Less
Max. Working Frequency		5c/sec	3c/sec
Lubrication		Not Required(Use ISO VG32 #)	
Manual Override		Push Button(Standard), Lever Lock(Option)	
Coil Insulation Class		F-Class or Equivalent	
Permissible Voltage Variation		±10% of Rated Voltage	
Off Min. Residual Voltage		AC:20% or Less / DC:10% or Less	
Power Consumption		Holding-AC:3.5VA(60Hz) / DC:2.5W	



- ### The Material of Parts
- Valve Body : Die-Cast Aluminium
 - Spool : Aluminium
 - Seals : NBR
 - Spring : Stainless
 - Cap : Zinc Pressure Die-Cast
 - Pilot Parts : Glass Filled Nylon
 - Armature : Stainless Steel
 - Armature Seals : Viton

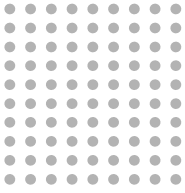


* The specification on each item can be amended without any prenotice to improve a performance.
* The specification on each item can be different from actual specification.

ORDERING NO.

SF1 1 0 1 - I P - SC1 - CN1 - A2

Valve Series	Function	Port Size & Thread	Return Method	Int/ Ext. Pilot	Manual Operator	Solenoid Coil Type	Connector Type	Voltage
SF1 : Solenoid Valve	1 5/2 Single	0 M5×0.8	0 None	I Internal Pilot	0 None	0 None	0 None	0 None
	2 5/2 Double	1 10-32 UNF	1 Air + Spring		P Push	SC1 3 Pin Connector Coil	CN1 Normal Connector	A2 AC 220V
	3 5/3 Closed Center		2 Air		Non-Locking	SG1 Grommet/Flying Leads	CD1 Connector With LED	A1 AC 110V
SFP1 : Pneumatic Valve	4 5/3 Open Center		3 Spring		L Lever Locking	SD1 Grommet/Flying Leads With LED	CZ1 Connector With LED & Surge Suppressor	A4 AC 24V
	5 5/3 Pressure Center					SL1 90 Degree Plug-in Wire Assembly With LED	D4 DC 24V	D4 DC 24V
	6 3/2 Normally Closed					SM1 180 Degree Plug-in Wire Assembly With LED	D2 DC 12V	D2 DC 12V
	7 3/2 Normally Open							



5Port 2Position Solenoid Valve

5Port 2Position Pneumatic Valve

5Port 3-Position Solenoid Valve

5Port 3Position Pneumatic Valve

3Port 2Position Solenoid Valve

Normally Closed
SF1601-IP-SD1-**-**



Normally Open
SF1701-IP-SD1-**-**



3Port 2Position Pneumatic Valve

Manifold Block Ordering Code

MF 1500		-	2	
	Series		Manifold Station	
MF1500	5 Way	02	2-Station	
MF1300	3 Way	04	4-Station	
		06	6-Station	
		08	8-Station	
		10	10-Station	

Blanking Plate Ordering Code

Blanking Plate.
(Material: SCP1)

Manifold Gasket.
(Material: NBR)

Blanking Plate.
(Material: SCP1)

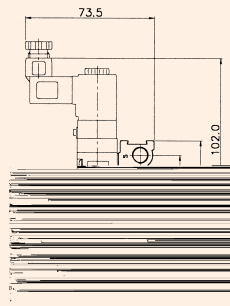
Manifold Gasket.
(Material: NBR)

MF1000 MANIFOLD BLOCK

(SF1000 Solenoid & Pneumatic Valve Use)

5-Port Manifold Block

MF1500-4



3-Port Manifold Block

MF1300-4

5-PORT MANIFOLD BLOCK DIMENSION n = STATION

ITEM	n	2	4	6	8	10
B		40.0	72.0	104.0	136.0	168.0
A		58.0	90.0	122.0	154.0	186.0

3-PORT MANIFOLD BLOCK DIMENSION n = STATION

ITEM	n	2	4	6	8	10
B		40.0	72.0	104.0	136.0	168.0
A		53.0	85.0	117.0	149.0	181.0