



aerospace  
climate control  
electromechanical  
filtration  
**fluid & gas handling**  
hydraulics  
pneumatics  
process control  
sealing & shielding



## Parker 7321B/ 7322B Series Water Valves

High performance 2-way pilot operated solenoid valves for water, light oils and steam



ENGINEERING YOUR SUCCESS.

# Parker 7321B/7322B Series Water Valves

Parker 7321B/7322B 2/2 pilot operated valves is the best solution anywhere a perfect control media such water, steam, and light oils is required.

7321B/7322B Series are diaphragm pilot operated valves and require a minimum differential pressure to operate.

Water is the basic element for human life, and water control makes possible a wide variety of human activities such as irrigation and food production, breeding, water dispensing, energy production, car and tools washing; water is the basic element in many applications like fire-fighting, domestic, plumbing.

Basing on solenoid technology, among the features this product provides a high flow rate, a fast reaction time and a superior reliability in a robust and modern design.

Manual override is available to open and close the valve without electrical supply, as well as speed control option against water hammer effect.

Our 7321B/7322B Water Valves range is usable with the most of our FCDE coil ranges, including ATEX, low power and IP67 electrical parts.



## The Species Evolution

Roman Age

Parker Age

# Applications

Thanks to the best performances in flow rate, 7321B/7322B Series can be used for many applications with high flow rates and media such as water, hot water and steam. Typical applications can be found in: Plumbing mkt, industrial washing machines, car wash installations, cooling of machine tools, hydrocleaners, autoclaves, irrigation systems, etc...



# Benefits

## Among the most valuable features you can find in this product:

- Best performances for minimum and maximum operating pressure differential
- Exclusive diaphragm design for a **Superior Flow Rate**, higher than the competition valves with the same dimensional specs and flat diaphragm
- **One of the Fastest** in electrical and hydraulic opening response time
- Modular concept: a wide range of electrical parts increases the versatility of this product
- Robust design: areas under mechanical stress have been studied and oversized
- Manual override control option: valve can be easily activated also when there's no energy supply
- Stainless steel pilot for superior life endurance with special sealing
- Easy access to internal parts, to permit easy and quick maintenance

# Introducing Parker 7321B/7322B Series Water Valves

## General Description

---

Parker 7321B/7322B are diaphragm pilot operated solenoid valves and require a minimum differential pressure to operate.

This serie is available in both Normally Closed and Normally Open function: 7321B Serie is a Normally Closed family (closed when de-energised), 7322B Serie is the Normally Open family (Open when de-energised).

## Material Specifications

---

<b>Valve body:</b>	CW617N UNI EN 12165:98 Forged Brass	<b>Spring:</b>	AISI 302 St. Steel
<b>Enclosing tube:</b>	AISI 304 stainless steel	<b>Seals:</b>	NBR (Buna N) - EPDM FKM (Viton)
<b>Plunger:</b>	AISI 430F St. Steel	<b>Shading ring:</b>	Copper

## Installation

---

The valves can be mounted in any position. It is however recommended to install them with the coil in vertical position above the body.

## Media

---

These valves have been developed to achieve the best performances for water, steam, light oils (up to 2°E). Therefore these valves are not usable with gas and air.

We recommend to choose NBR versions for plumbing mkt (max. temp. 90°C), FKM version for water/light oils control applications up to 140°C, EPDM version for superheated water and steam (up to 140°C)

## Electrical Parts

---

A wide range of electrical parts are available for 7321B/7322B Series. The complete offer of electrical parts is shown at pages 18 to 21.

Please consult factory in case you need to verify the compatibility of 7321B/7322B Series with alternative ranges of paper FCDE coils not included in this catalogue.

Please consult also the "How to Order" section at page 22 to select the product configuration which fits your application requirements.

# Available Options

## Manual Control

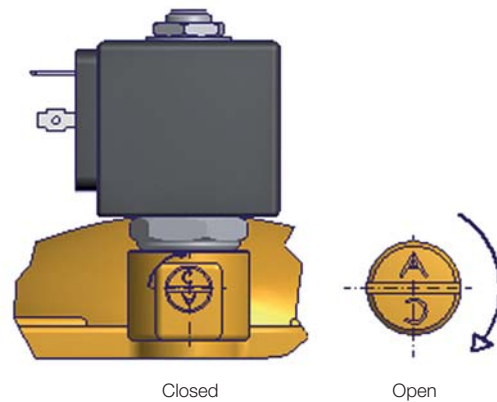
Parker 7321B Serie (NC version only) can be ordered with Manual control option. A manual control is used to operate the valve without connecting the coil.

**The control consists in a slotted-head screw for a screwdriver and has two possible positions:**

**Closed:** The letter "C" is in the upper position of the screw head (fig.1,2)

**Open:** The letter "A" is in the upper position of the screw head (fig.1,2)

Standing in its closed position, the valve operates normally when coil is energised/de-energised. Manual and speed control are standard on 2 ½" and 3" versions.



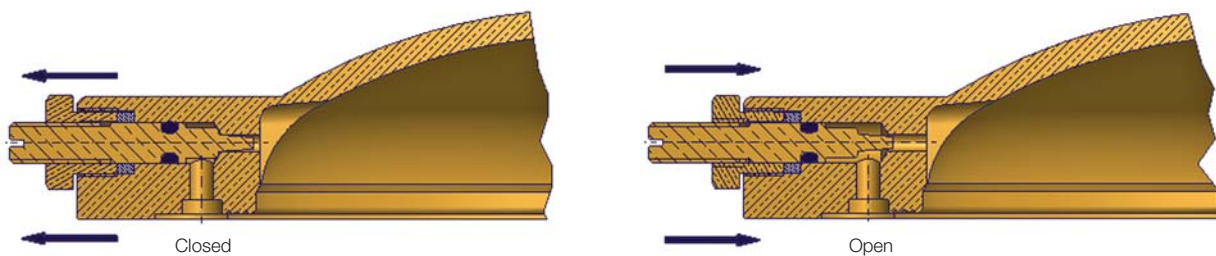
## Speed Control Option (Anti-Water Hammer Control)

Parker 7321B Serie (NC version only) can be ordered with Speed control option. The closure time of certain types can be changed by means of the adjusting screw. The latter, by acting as a throttle on the inlet equalisation (pilot) hole of the valve, slows down the closure speed of the valve, thus reducing the water hammer effect.

**The regulation range is as follows:**

**Screw fully open:** Max. closure speed

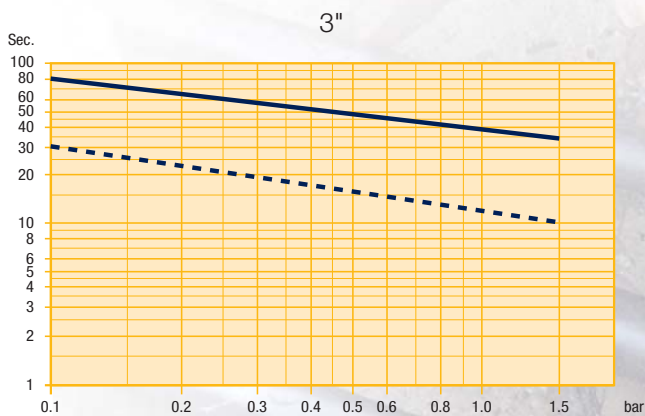
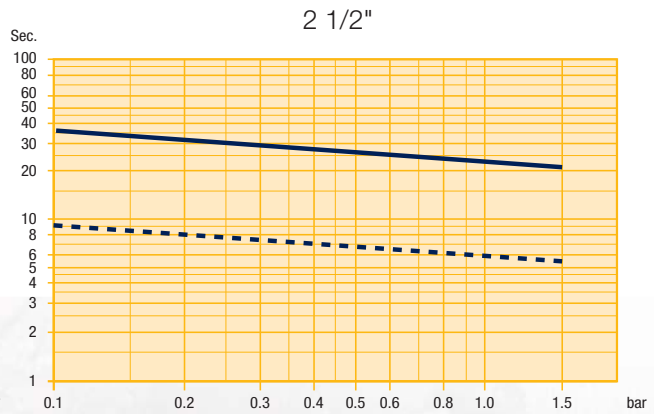
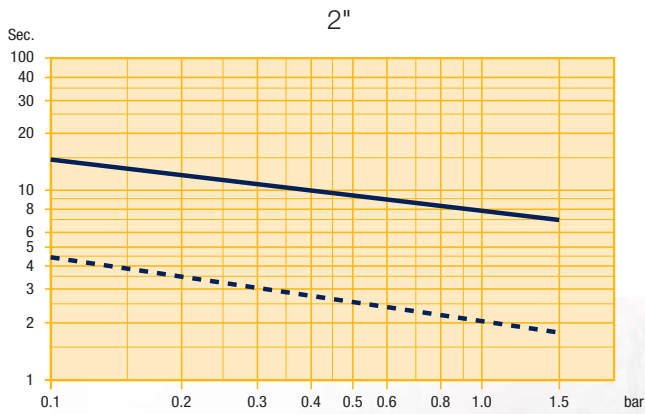
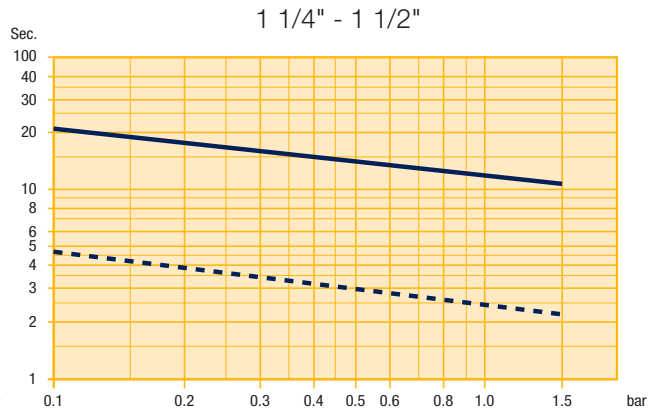
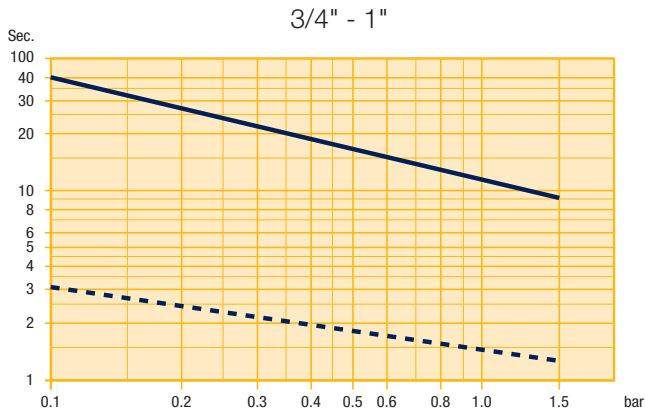
**Screw fully closed:** Valve always open



Please consult diagrams at page 6 of this catalogue to find details about shut-off response time with speed control option.



## Diagrams of the Closing Times



- Curve 1:** Closing time with adjusting screw open by 1/2 turn
- - - Curve 2:** Closing time with adjusting screw completely open

# Product availability

## 7321B/7322B Pressure Vessel

A wide range of configurations for this solenoid valve family is available: port sizes from 3/8" to 3" in brass, with BSPP port threads or with NPT ports, along with a wide range of seal and disc materials ensures that we have a standard valve to fit most applications.

In the table herebelow you might also find an explanation of the general description system for 7321B/7322B Series water valves family.

Description							Reference		
7	3	2	1	B	A	N	x	x	
7									7 000 Operators
	3								Pilot Operated Valve
	2								Direct Lift Operated Valve
	1								Direct Operated Valve
		2							2/2 Ways
			2						Normally Open
			1						Normally Close
				A					Family Name
				B					
				C					
				...					
					I				
					A				1/2"
					C				3/4"
					D				1"
					E				1 1/4"
					F				1 1/2"
					G				2"
					L				2 1/2"
					M				3"
						N			NBR
						V			KKM
						H			EPDM
							0	0	Standard Version
							0	1	Manuel Override
							0	2	Speed Control + MO
							0	6	Speed Control
							9	0	NPT
							9	1	NPT - Manuel Override (MO)
							9	2	NPT - Speed Control + MO
					S	x	x	x	Special versions

**Please note:**

- Electrical parts available are not included in the description system hereabove which refers to pressure vessel only. You can find electrical parts available at pages 18 to 21.
- Please consult in detail the "How to Order" section at page 22.

# 2/2 Normally Closed - BSP threads

## NBR Seals (Max. Media Temp. 90°C)

Port Size G	Orifice mm	Flow Factors m <sup>3</sup> /h	l/min	Minimum Pressure	Maximum Differential	Weight Kg	Manual Control	Speed Control Pressure	Description	Part Number	Dimensional Drawing
3/8"	13	3.0	50.0	0.1	20	0.55	-	-	7321BIN00	443776W	2
	13	3.0	50.0	0.1	20	0.55	x	-	7321BIN01	443777W	
1/2"	13	3.0	50.0	0.1	20	0.58	-	-	7321BAN00	443779W	2
	13	3.0	50.0	0.1	20	0.58	x	-	7321BAN01	443780W	
3/4"	20	8.4	139.9	0.1	20	1.02	-	-	7321BCN00	443782W	3
	20	8.4	139.9	0.1	10	1.02	x	-	7321BCN01	443783W	
	20	8.4	139.9	0.1	10	1.02	x	x	7321BCN02	443784W	
1"	25	9.6	159.9	0.1	20	1.08	-	-	7321BDN00	443786W	3
	25	9.6	159.9	0.1	10	1.08	x	-	7321BDN01	443787W	
	25	9.6	159.9	0.1	10	1.08	x	x	7321BDN02	443788W	
1 1/4"	35	25.2	419.8	0.1	10	3.15	-	-	7321BEN00	443790W	4
	35	25.2	419.8	0.1	5	3.15	x	-	7321BEN01	443791W	
	35	25.2	419.8	0.1	5	3.15	x	x	7321BEN02	443792W	
1 1/2"	40	30.0	499.8	0.1	10	2.90	-	-	7321BFN00	443794W	4
	40	30.0	499.8	0.1	5	2.90	x	-	7321BFN01	443795W	
	40	30.0	499.8	0.1	5	2.90	x	x	7321BFN02	443796W	
2"	50	37.2	619.8	0.1	10	4.30	-	-	7321BGN00	443798W	4
	50	37.2	619.8	0.1	5	4.30	x	-	7321BGN01	443799W	
	50	37.2	619.8	0.1	5	4.30	x	x	7321BGN02	443800W	
2 1/2"	65	66.0	1099.6	0.2	10	13.60	x	x	7321BLN02	443802W	5
3"	75	80.0	1332.8	0.2	10	11.90	x	x	7321BMN02	443803W	5

Nominal pressure: 25 bar from 1 1/4" to 3" 16 bar

## FKM Seals (Max. Media Temp. 140°C)

Port Size G	Orifice mm	Flow Factors m <sup>3</sup> /h	l/min	Minimum Pressure	Maximum Differential	Weight Kg	Manual Control	Speed Control Pressure	Description	Part Number	Dimensional Drawing
3/8"	13	3.0	50.0	0.1	20	0.55	-	-	7321BIV00	444492W	2
1/2"	13	3.0	50.0	0.1	20	0.58	-	-	7321BAV00	444494W	2
3/4"	20	8.4	139.9	0.1	20	1.02	-	-	7321BCV00	444497W	3
1"	25	9.6	159.9	0.1	20	1.08	-	-	7321BDV00	443804W	3

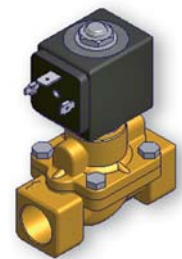
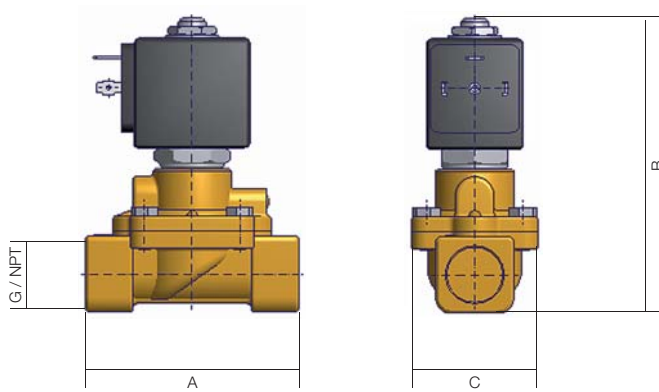
Nominal pressure: 25 bar

## EPDM Seals (Max. Media Temp. 140°C)

Port Size G	Orifice mm	Flow Factors m <sup>3</sup> /h	l/min	Minimum Pressure	Maximum Differential	Weight Kg	Manual Control	Speed Control Pressure	Description	Part Number	Dimensional Drawing
3/8"	13	3.0	49.98	0.1	10	0.55	-	-	7321BIH00	443778W	2
1/2"	13	3.0	49.98	0.1	10	0.55	-	-	7321BAH00	443781W	2
3/4"	20	8.4	139.94	0.1	10	1.02	-	-	7321BCH00	443785W	3
1"	25	9.6	159.94	0.1	10	1.08	-	-	7321BDH00	443789W	3
1 1/4"	35	25.2	419.83	0.1	10	3.15	-	-	7321BEH00	443793W	4
1 1/2"	40	30.0	499.80	0.1	10	2.90	-	-	7321BFH00	443797W	4
2"	50	37.2	619.75	0.1	10	4.30	-	-	7321BGH00	443801W	4

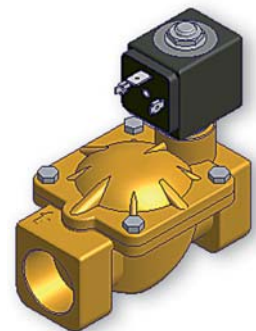
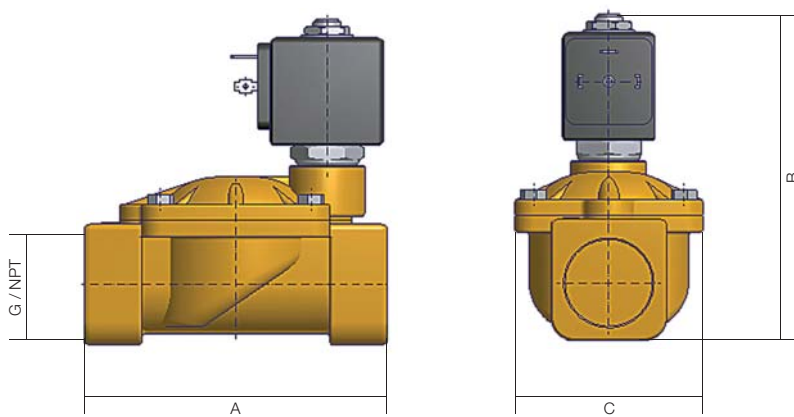
Nominal pressure: 25 bar - Max press for steam: 4 bar





G NTP	A		B		C	
	mm	inch	mm	inch	mm	inch
3/8"	69	2.71	99.5	3.91	40	1.57
1/2"	72	2.83	101.5	3.99	40	1.57

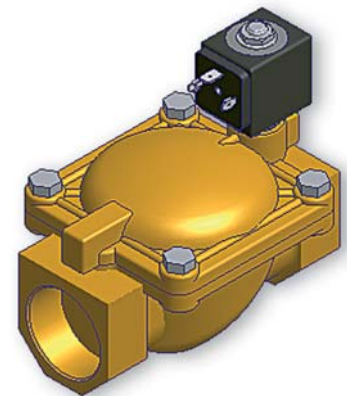
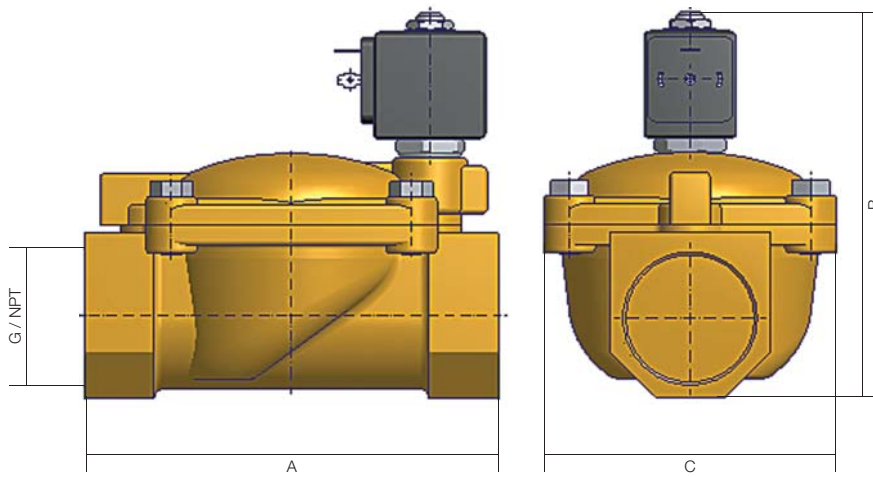
Dimensional Drawing N° 2



G NTP	A		B		C	
	mm	inch	mm	inch	mm	inch
3/4"	100	3.83	107	4.21	65	2.55
1"	104	4.09	112.5	4.42	65	2.55

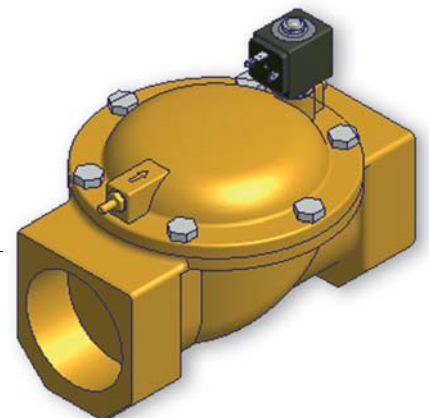
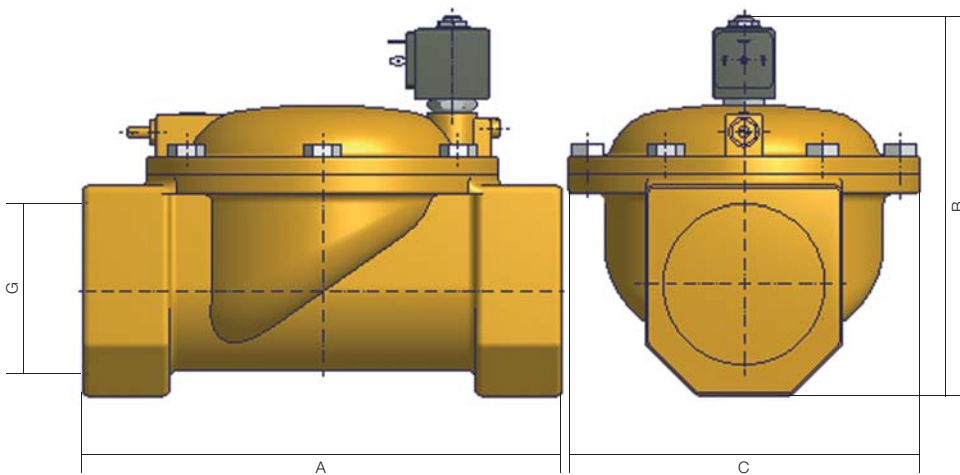
Dimensional Drawing N° 3

# 2/2 Normally Closed - BSP threads



G NTP	A		B		C	
	mm	inch	mm	inch	mm	inch
1-1/4"	145	5.70	134	5.27	102	4.01
1-1/2"	145	5.70	134	5.27	102	4.01
2"	173	6.81	148	5.82	118	4.64

Dimensional Drawing N° 4



G	A		B		C	
	mm	inch	mm	inch	mm	inch
3/8"	245	-	195	-	184	-
1/2"	250	-	195	-	184	-

Dimensional Drawing N° 5

# 2/2 Normally Open - BSP threads

## NBR Seals (Max. Media Temp. 90°C)

Port Size G	Orifice mm	Flow Factors m <sup>3</sup> /h	l/min	Minimum Pressure	Maximum Differential	Weight Kg	Manual Control	Speed Control Pressure	Description	Part Number	Dimensional Drawing
3/8"	13	3.0	49.98	0.1	20	0.55	-	-	7322BIN00	443805W	6
1/2"	13	3.0	49.98	0.1	20	0.58	-	-	7322BAN00	443806W	6
3/4"	20	8.4	139.94	0.1	20	1.02	-	-	7322BCN00	443807W	7
1"	25	9.6	159.94	0.1	20	1.08	-	-	7322BDN00	443808W	7
1 1/4"	35	25.2	419.83	0.1	10	3.15	-	-	7322BEN00	443809W	8
1 1/2"	40	30.0	499.80	0.1	10	2.90	-	-	7322BFN00	443810W	8
2"	50	37.2	619.75	0.1	10	4.30	-	-	7322BGN00	443811W	8
2 1/2"	65	66.0	1099.56	0.2	10	13.60	-	x	7322BLN06	444513W	9
3"	75	80.0	1332.80	0.2	10	11.90	-	x	7322BMN06	444503W	9

Nominal pressure: 25 bar from 1 1/4" to 3" 16 bar

## FKM Seals (Max. Media Temp. 140°C)

Port Size G	Orifice mm	Flow Factors m <sup>3</sup> /h	l/min	Minimum Pressure	Maximum Differential	Weight Kg	Manual Control	Speed Control Pressure	Description	Part Number	Dimensional Drawing
3/8"	13	3.0	49.98	0.1	20	0.55	-	-	7322BIV00	444499W	6
1/2"	13	3.0	49.98	0.1	20	0.58	-	-	7322BAV00	444500W	6
3/4"	20	8.4	139.94	0.1	20	1.02	-	-	7322BCV00	444501W	7
1"	25	9.6	159.94	0.1	20	1.08	-	-	7322BDV00	444502W	7

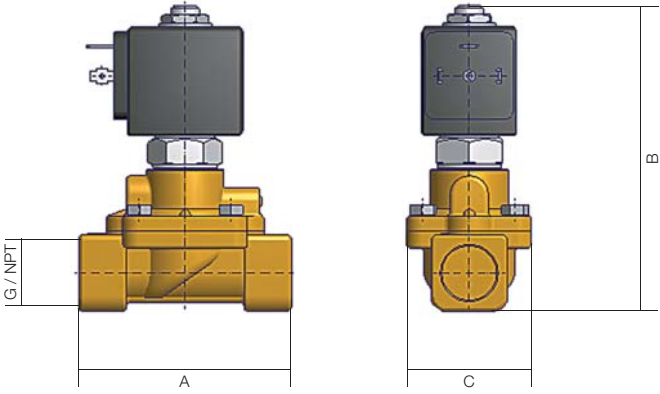
Nominal pressure: 25 bar from 1 1/4" to 2" 16 bar

## EPDM Seals (Max. Media Temp. 140°C)

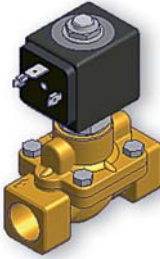
Port Size G	Orifice mm	Flow Factors m <sup>3</sup> /h	l/min	Minimum Pressure	Maximum Differential	Weight Kg	Manual Control	Speed Control Pressure	Description	Part Number	Dimensional Drawing
3/8"	13	3.0	49.98	0.1	10	0.55	-	-	7322BIH00	444600W	6
1/2"	13	3.0	49.98	0.1	10	0.58	-	-	7322BAH00	444601W	6
3/4"	20	8.4	139.94	0.1	10	1.02	-	-	7322BCH00	444602W	7
1"	25	9.6	159.94	0.1	10	1.08	-	-	7322BDH00	444603W	7
1 1/4"	35	25.2	419.83	0.1	10	3.15	-	-	7322BEH00	444576W	8
1 1/2"	40	30.0	499.80	0.1	10	2.90	-	-	7322BFH00	444604W	8
2"	50	37.2	619.75	0.1	10	4.30	-	-	7322BGH00	444605W	8

Nominal pressure: 25 bar from 1 1/4" to 2" 16 bar

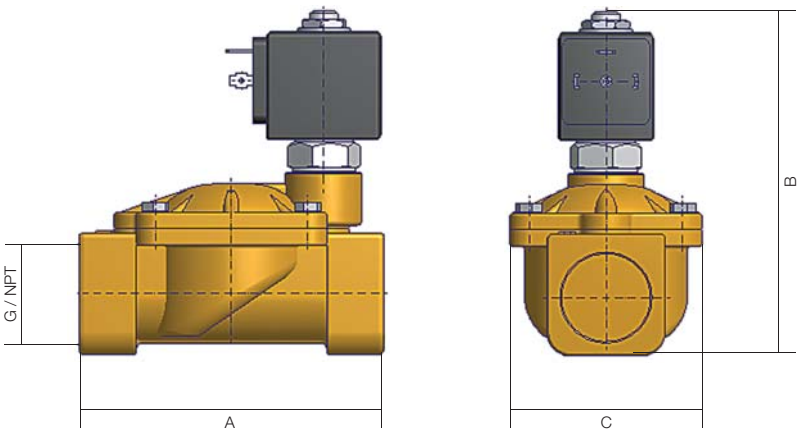
# 2/2 Normally Open - BSP threads



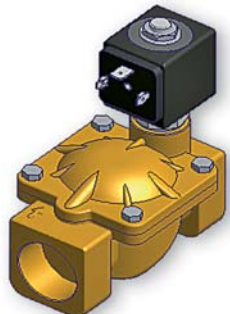
G NTP	A		B		C	
	mm	inch	mm	inch	mm	inch
3/8"	69	2.71	110	4.33	40	1.57
1/2"	72	2.83	112	4.41	40	1.57



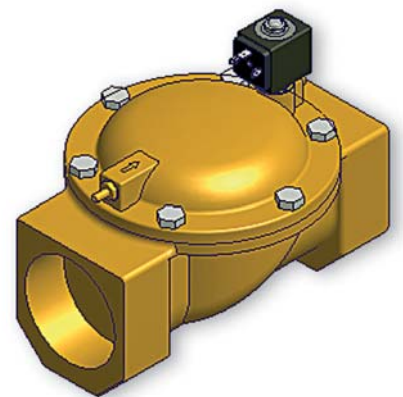
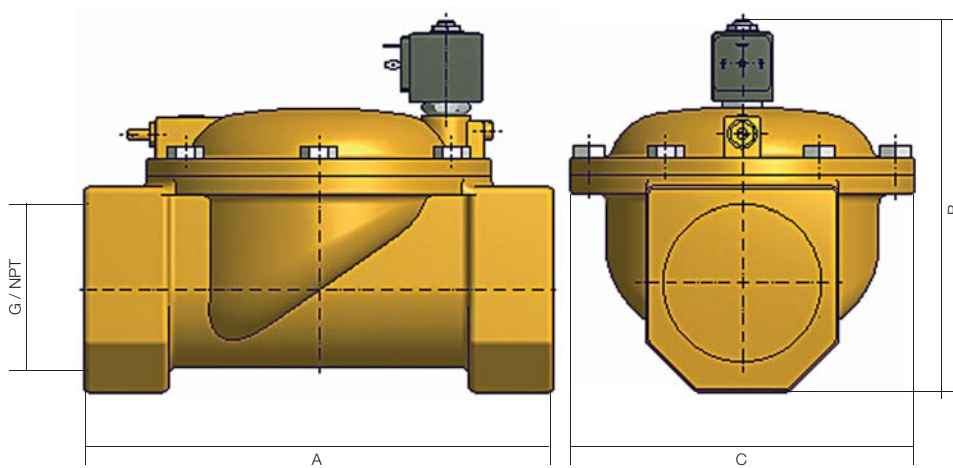
Dimensional Drawing N° 6



G NTP	A		B		C	
	mm	inch	mm	inch	mm	inch
3/4"	100	3.83	117.5	4.62	65	2.55
1"	104	4.09	113	4.84	65	2.55

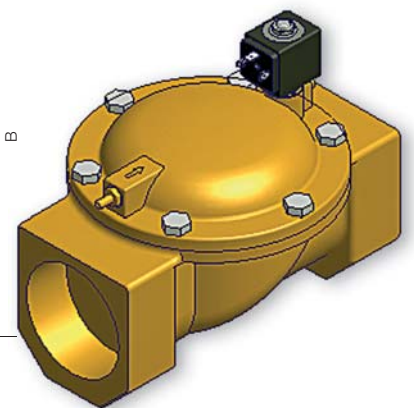
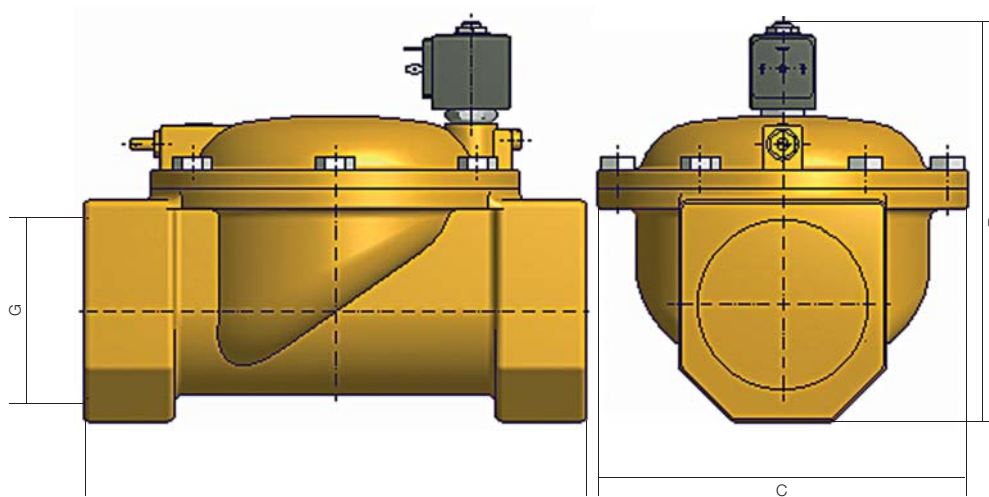


Dimensional Drawing N° 7



G NPT	A		B		C	
	mm	inch	mm	inch	mm	inch
1-1/4"	145	5.70	144.4	5.68	102	4.01
1-1/2"	145	-	134	-	102	-
2"	173	-	148	-	118	-

Dimensional Drawing N° 8



G	A		B		C	
	mm	inch	mm	inch	mm	inch
3/8"	245	-	195	-	184	-
1/2"	250	-	195	-	184	-

Dimensional Drawing N° 9

All dimensions are in mm

# 2/2 Normally Closed - NPT threads

## NBR Seals (Max. Media Temp. 90°C)

Port Size NPT	Orifice		Flow Factors		Minimum Pressure		Maximum Differential		Weight		Description	Part Number	Dimensional Drawing
	mm	inch	m³/h	gpm	bar	PSI	bar	PSI	Kg	lbs			
3/8"	13	0.51	3.0	13.23	0.1	1.45	20	290	0.55	1.21	7321BIN90	444107W	1
1/2"	13	0.51	3.0	13.23	0.1	1.45	20	290	0.55	1.21	7321BAN90	444108W	1
3/4"	20	0.78	8.4	37.04	0.1	1.45	20	290	1.02	2.24	7321BCN90	444109W	2
1"	25	0.98	9.6	42.34	0.1	1.45	20	290	1.08	2.38	7321BDN90	444110W	2
1 1/4"	35	1.37	25.2	111.13	0.1	1.45	10	145	3.15	6.93	7321BEN90	444168W	3
1 1/2"	40	1.56	30.0	132.30	0.1	1.45	10	145	4.30	9.46	7321BFN90	444169W	3
2"	50	1.95	37.2	164.05	0.1	1.45	10	145	4.30	9.46	7321BGN90	444119W	3

Nominal pressure: 25 bar/360 PSI from 1 1/4" to 2" 16 bar/230 PSI

## EPDM Seals (Max. Media Temp. 140°C)

Port Size NPT	Orifice		Flow Factors		Minimum Pressure		Maximum Differential		Weight		Description	Part Number	Dimensional Drawing
	mm	inch	m³/h	gpm	bar	PSI	bar	PSI	Kg	lbs			
3/8"	13	0.51	3.0	13.23	0.1	1.45	10	145	0.55	1.21	7321BIH90	444209W	1
1/2"	13	0.51	3.0	13.23	0.1	1.45	10	145	0.55	1.21	7321BAH90	444210W	1
3/4"	20	0.78	8.4	37.04	0.1	1.45	10	145	1.02	2.24	7321BCH90	444211W	2
1"	25	0.98	9.6	42.34	0.1	1.45	10	145	1.08	2.38	7321BDH90	444606W	2

Nominal pressure: 25 bar/360 PSI

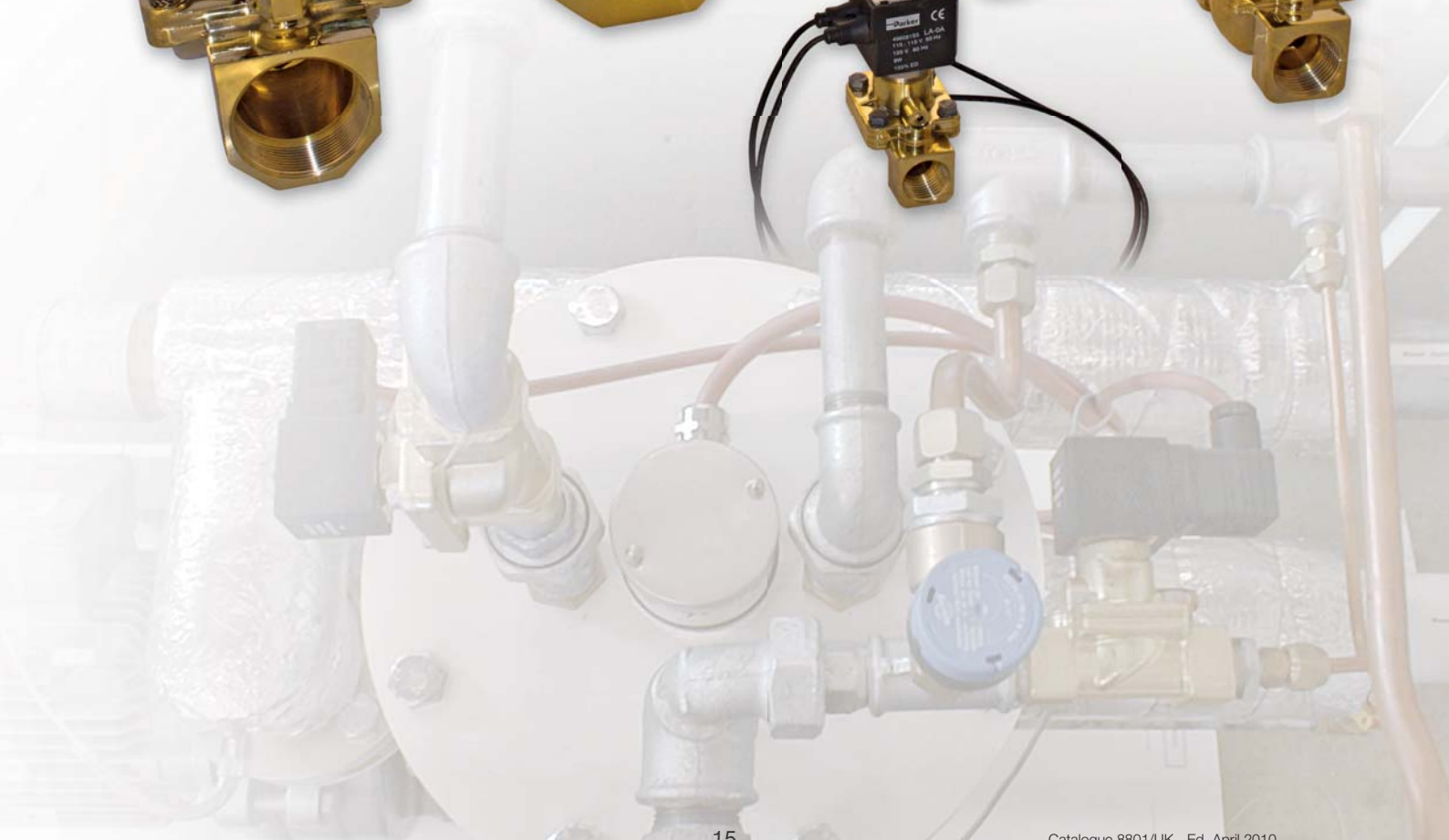
# 2/2 Normally Open - NPT threads

## NBR Seals (Max. Media Temp. 90°C)

Port Size NPT	Orifice		Flow Factors		Minimum Pressure		Maximum Differential		Weight		Description	Part Number	Dimensional Drawing
	mm	inch	m³/h	gpm	bar	PSI	bar	PSI	Kg	lbs			
3/8"	13	0.51	3.0	13.23	0.1	1.45	20	290	0.55	1.21	7322BIN90	444234W	6
1/2"	13	0.51	3.0	13.23	0.1	1.45	20	290	0.55	1.21	7322BAN90	444610W	6
3/4"	20	0.78	8.4	37.04	0.1	1.45	20	290	1.02	2.24	7322BCN90	444611W	7
1"	25	0.98	9.6	42.34	0.1	1.45	20	290	1.08	2.38	7322BDN90	444612W	7
1 1/4"	35	1.37	25.2	111.13	0.1	1.45	10	145	3.15	6.93	7322BEN90	444320W	8

## EPDM Seals (Max. Media Temp. 140°C)

Port Size NPT	Orifice		Flow Factors		Minimum Pressure		Maximum Differential		Weight		Description	Part Number	Dimensional Drawing
	mm	inch	m³/h	gpm	bar	PSI	bar	PSI	Kg	lbs			
3/8"	13	0.51	3.0	13.23	0.1	1.45	10	145	0.55	1.21	7322BIH90	444613W	6
1/2"	13	0.51	3.0	13.23	0.1	1.45	10	145	0.55	1.21	7322BAH90	444614W	6
3/4"	20	0.78	8.4	37.04	0.1	1.45	10	145	1.02	2.24	7322BCH90	444615W	7
1"	25	0.98	9.6	42.34	0.1	1.45	10	145	1.08	2.38	7322BDH90	444616W	7
1 1/4"	35	1.37	25.2	111.13	0.1	1.45	10	145	3.15	6.93	7322BEH90	444576W	8



# Electrical parts availability

## Standard Coil Mono-Frequency, F class

Encapsulated in synthetic material, Connector for 2P + E DIN 43650 A Plug. IP65 rate can be achieved using a DIN Plug connector only.

Voltage	Power Consumption	Approvals	Description	Part Number	Dimensional Drawing
24/50	8 W	-	481865A2	439500	10
48/50	8 W	-	481865A4	439515	10
110/50	8 W	-	481865A5	439514	10
220-230/50	8 W	-	4818653D	439502	10
380/50	8 W	-	481865A9	439531	10
24/60	8 W	-	481865B2	439804	10
230/60	8 W	-	481865J3	439530	10
115/60	8 W	-	481865K8	439528	10
12 DC	9 W	-	481865C1	439508	10
24 DC	9 W	-	481865C2	439501	10
48DC	9 W	-	481865C4	439523	10
110V DC	9 W	-	481865C5	439532	10

## Standard Coil Bi-Frequency, F class

Encapsulated in synthetic material, Connector for 2P + E DIN 43650 A Plug. IP65 rate can be achieved using a DIN Plug connector only.

Voltage	Power Consumption	Approvals	Description	Part Number	Dimensional Drawing
12/50-60	9 W	-	4835101W	439812	10
24/50-60	9 W	-	483510P0	439503	10
48/50-60	9 W	-	483510S4	439526	10
110-115/50 120/60	9 W	-	483510S5	439507	10
220-240/50 240/60	9 W	-	483510S6	439504	10

## UL approved Coil, F class

Encapsulated in synthetic material, Connector for 2P + E DIN 43650 A Plug. IP65 rate can be achieved using a DIN Plug connector only.

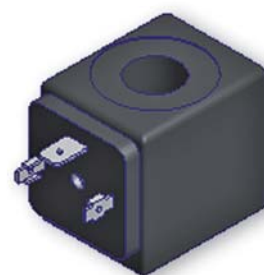
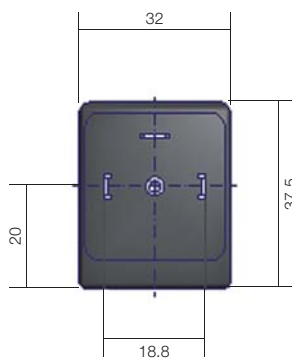
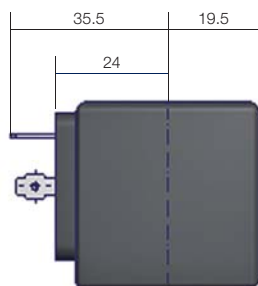
Voltage	Power Consumption	Approvals	Description	Part Number	Dimensional Drawing
24/60	13 W	UL	491514B2	439511	10
24DC	16 W	UL/VDE	491514C2	439520	10
110/50 120/60	13 W	UL	491514P3	439512	10
220/50 240/60	13 W	UL	491514Q3	439513	10

## H class Coil

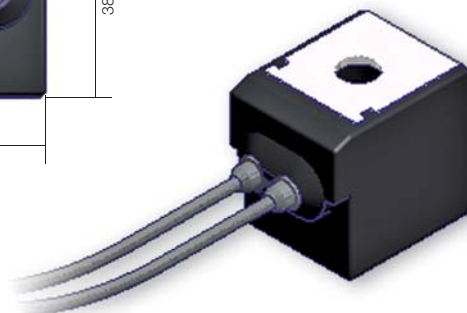
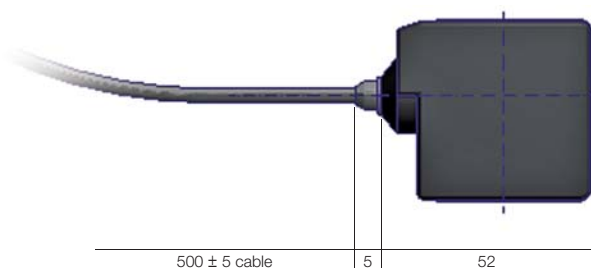
(DC, AC 14W) encapsulated in synthetic material. Connection for 2P + E DIN 43650 A Plug. IP65 rate can be achieved using a DIN Plug connector only.

Voltage	Power Consumption	Approvals	Description	Part Number	Dimensional Drawing
24/50	14 W	-	492425A2	439550	10
110/50	14 W	-	492425A5	439551	10
230/50	14 W	-	492425F4	439518	10
24DC	14 W	-	492425C2	439522	10





Dimensional Drawing N° 10



All dimensions are in mm

Dimensional Drawing N° 11

# Electrical parts availability

## IP67 Coil with two 500 mm flying leads, F class

Encapsulated in synthetic material. Protection rate IP67 as per DIN 40050.  
Connection: 2 x 500 mm cables

Voltage	Power Consumption	Approvals	Description	Part Number	Dimensional Drawing
24/50 - 24/60	9 W	-	496081P0	<b>439816</b>	11
110-115/50 120/60	9 W	-	496081S5	<b>439820</b>	11
220-240/50 240/60	9 W	-	496081S6	<b>439822</b>	11
24DC	9 W	-	496081C2	<b>439818</b>	11
12DC	9 W	-	496081C1	<b>439814</b>	11

## IP67 coil with two 500 mm flying leads, F class, UL approved

Encapsulated in synthetic material. Protection rate IP67 as per DIN 40050.  
Connection: 2 x 500 mm cables

Voltage	Power Consumption	Approvals	Description	Part Number	Dimensional Drawing
24/60	13 W	UL	496082B2	<b>439826</b>	11
110/50 120/60	13 W	UL	496082P3	<b>439828</b>	11
208-240/60	14 W	UL	496082U3	<b>439824</b>	11
220/50 240/60	13 W	UL	496082Q3	<b>439834</b>	11
24DC	16 W	UL	496082C2	<b>439832</b>	11
12DC	16 W	UL	496082C1	<b>439830</b>	11

## Explosion-proof EEx m II T4 (IP65)

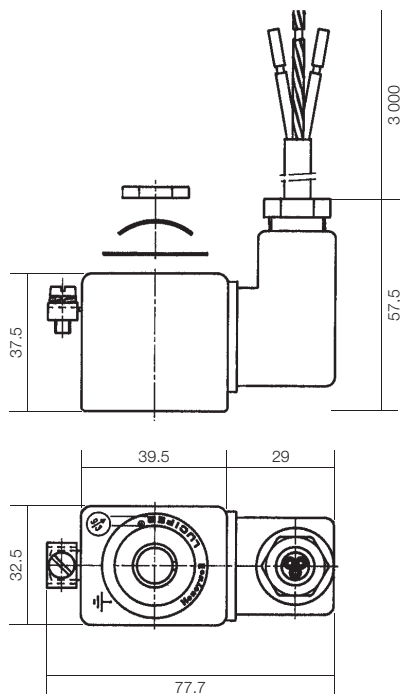
Coil with housing integrated. Coil and magnetic circuit encapsulated in synthetic material.  
The complete housing is supplied with an encapsulated connection cable (3 x 0.75 mm<sup>2</sup> section),  
cable length is 3 000 mm with cable gland PG11. Power consumption: 8W AC, 9W DC.

Voltage	Power Consumption	Approvals	Description	Part Number	Dimensional Drawing
24DC	9 W	ATEX EEx m II 2GD	492670C2	<b>492670C2</b>	12
230/50	8 W	ATEX EEx m II 2GD	492670F4	<b>492670F4</b>	12

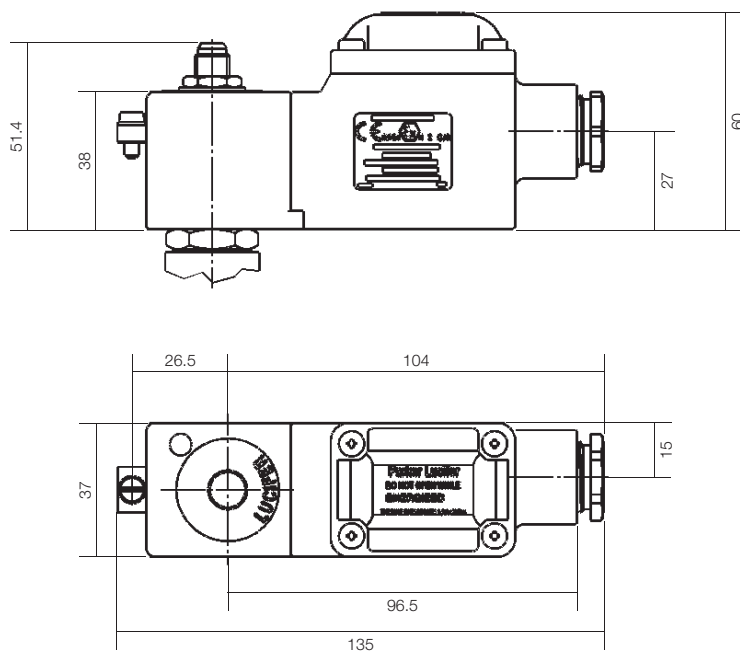
## Explosion-proof II 2 G-EEx dm IIC T4

Coil/housing assembly encapsulated in synthetic material (H class). Protection degree: IP67.  
Cable connection through cable gland M20x1.5 (DIN 46320).

Voltage	Power Consumption	Approvals	Description	Part Number	Dimensional Drawing
24DC	8 W	ATEX - EEx d mb IIC 2GD	495905C2	<b>495905C2</b>	13
48DC	8 W	ATEX - EEx d mb IIC 2GD	495905C4	<b>495905C4</b>	13
110DC	8 W	ATEX - EEx d mb IIC 2GD	495905C5	<b>495905C5</b>	13
24/50	8 W	ATEX - EEx d mb IIC 2GD	495905A2	<b>495905A2</b>	13
48/50	8 W	ATEX - EEx d mb IIC 2GD	495905A4	<b>495905A4</b>	13
240/60	8 W	ATEX - EEx d mb IIC 2GD	495905B8	<b>495905B8</b>	13
115/50	8 W	ATEX - EEx d mb IIC 2GD	495905E5	<b>495905E5</b>	13
230/50	8 W	ATEX - EEx d mb IIC 2GD	495905F4	<b>495905F4</b>	13
115/60	8 W	ATEX - EEx d mb IIC 2GD	495905K8	<b>495905K8</b>	13



Dimensional Drawing N° 12



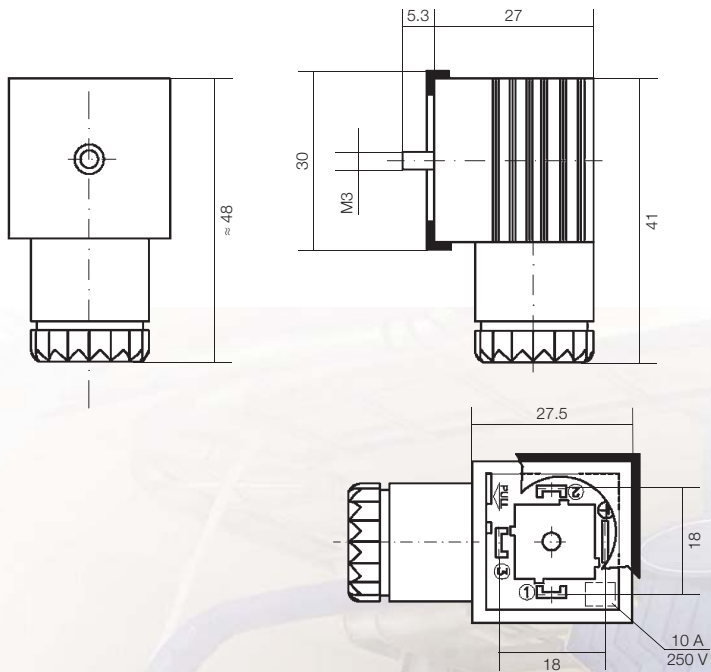
All dimensions are in mm

Dimensional Drawing N° 13

# Accessories

## Connector 2P + E DIN 43650 A

Max. A	Cable Section	Nominal Voltage	Description	Part Number	Drawing Reference
16 A	6-10 mm <sup>2</sup>	250-/300 V =	PG9/PG11 DIN Connector	<b>600003PLUG</b>	14



Drawing Reference N° 14

# Spare Parts

## Diaphragm Service Kit

This kit contains diaphragm only. Basing on port size of the valve and seals material required, please consult the prospect herebelow. Spare part kit is the same for Normally open and Normally closed versions.

Valve Port Size BSPP or NPT	Description	Part Number	Diaphragm Material
3/8" - 1/2"	Diaphragm 7321B/7322B N 3/8"-1/2"	306100SP	NBR
	Diaphragm 7321B/7322B V 3/8"-1/2"	306111SP	FKM
	Diaphragm 7321B/7322B H 3/8"-1/2"	306110SP	EPDM
3/4" - 1"	Diaphragm 7321B/7322B N 3/4"-1"	306120SP	NBR
	Diaphragm 7321B/7322B V 3/4"-1"	306131SP	FKM
	Diaphragm 7321B/7322B H 3/4"-1"	306130SP	EPDM
1 1/4" - 1 1/2"	Diaphragm 7321B/7322B N 1 1/4"-1 1/2"	306133SP	NBR
	Diaphragm 7321B/7322B H 1 1/4"-1 1/2"	306138SP	EPDM
2"	Diaphragm 7321B/7322B N 2"	306140SP	NBR
	Diaphragm 7321B/7322B H 2"	306150SP	EPDM
2 1/2" - 3"	Diaphragm 7321B/7322B N 2 1/2"-3"	306156SP	NBR

## Rebuild Service Kit

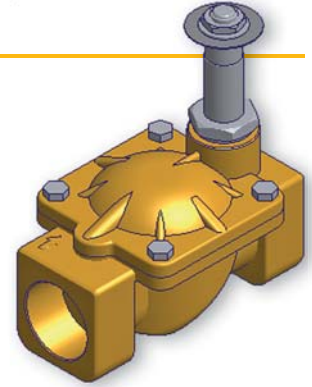
This kit contains diaphragm, sleeve, plungers and seals. Basing on function, port size and seals material required, please consult the prospect herebelow. Spare part kit is not the same for Normally open and Normally closed versions.

Valve Port Size	Valve Fonction	Description	Part Number	Diaphragm Material
3/8" - 1/2"	NC	Rebuild Kit 7321B N - 3/8", 1/2", NBR	430088W	NBR
	NC	Rebuild Kit 7321B V - 3/8", 1/2", FKM	430090W	FKM
	NC	Rebuild Kit 7321B H - 3/8", 1/2", EPDM	430133W	EPDM
3/4" - 1"	NC	Rebuild Kit 7321B N - 3/4", 1", NBR	430089W	NBR
	NC	Rebuild Kit 7321B N - 1-1/4", 1-1/2", NBR	430095W	NBR
1 1/4" - 1 1/2"	NC	Rebuild Kit 7321B H - 1-1/4", 1-1/2", EPDM	430135W	EPDM
	NC	Rebuild Kit 7321B N - 2", NBR	430096W	NBR
2"	NC	Rebuild Kit 7321B H - 2", EPDM	430136W	EPDM
	NO	Rebuild Kit 7322B N - 3/8", 1/2", NBR	430137W	NBR
3/8" - 1/2"	NO	Rebuild Kit 7322B N - 3/8", 1/2", NBR	430137W	NBR
3/4" - 1"	NO	Rebuild Kit 7322B N - 3/4", 1", NBR	430138W	NBR
1 1/4" - 1 1/2"	NO	Rebuild Kit 7322B N - 1-1/4", 1-1/2", NBR	430139W	NBR
2"	NO	Rebuild Kit 7322B N - 2", NBR	430140W	NB

# How to Order

## Step 1

Select the pressure vessel catalogue number (description) and/or part number at pages 8 to 19.



## Step 2

Select the electrical part catalogue number and/or part number at pages 20 to 23.



## Step 3

Select accessories at page 24.



### Ordering a product or a configuration not listed in the catalogue

When an application demands a combination of features not listed in the catalog, use the significant description system indicated at page 7 to specify the exact valve needed. Parker FCDE personnel will assist in determining the applicability, availability and price of the new product.



#### WARNING - USER RESPONSIBILITY

**FAILURE OR IMPROPER SELECTION OR IMPROPER USE OF THE PRODUCTS DESCRIBED HEREIN OR RELATED ITEMS CAN CAUSE DEATH, PERSONAL INJURY AND PROPERTY DAMAGE.**

- This document and other information from Parker-Hannifin Corporation, its subsidiaries and authorized distributors provide product or system options for further investigation by users having technical expertise.
- The user, through its own analysis and testing, is solely responsible for making the final selection of the system and components and assuring that all performance, endurance, maintenance, safety and warning requirements of the application are met. The user must analyze all aspects of the application, follow applicable industry standards, and follow the information concerning the product in the current product catalog and in any other materials provided from Parker or its subsidiaries or authorized distributors.
- To the extent that Parker or its subsidiaries or authorized distributors provide component or system options based upon data or specifications provided by the user, the user is responsible for determining that such data and specifications are suitable and sufficient for all applications and reasonably foreseeable uses of the components or systems.

# Parker's Motion & Control Technologies

At Parker, we're guided by a relentless drive to help our customers become more productive and achieve higher levels of profitability by engineering the best systems for their requirements. It means looking at customer applications from many angles to find new ways to create value. Whatever the motion and control technology need, Parker has the experience, breadth of product and global reach to consistently deliver. No company knows more about motion and control technology than Parker. For further info call 00800 27 27 5374.



## AEROSPACE

### Key Markets

- Aircraft engines
- Business & general aviation
- Commercial transports
- Land-based weapons systems
- Military aircraft
- Missiles & launch vehicles
- Regional transports
- Unmanned aerial vehicles

### Key Products

- Flight control systems & components
- Fluid conveyance systems
- Fluid metering delivery & atomization devices
- Fuel systems & components
- Hydraulic systems & components
- Inert nitrogen generating systems
- Pneumatic systems & components
- Wheels & brakes



## CLIMATE CONTROL

### Key Markets

- Agriculture
- Air conditioning
- Food, beverage & dairy
- Life sciences & medical
- Precision cooling
- Processing
- Transportation

### Key Products

- CO<sup>2</sup> controls
- Electronic controllers
- Filter driers
- Hand shut-off valves
- Hose & fittings
- Pressure regulating valves
- Refrigerant distributors
- Safety relief valves
- Solenoid valves
- Thermostatic expansion valves



## ELECTROMECHANICAL

### Key Markets

- Aerospace
- Factory automation
- Food & beverage
- Life science & medical
- Machine tools
- Packaging machinery
- Paper machinery
- Plastics machinery & converting
- Primary metals
- Semiconductor & electronics
- Textile
- Wire & cable

### Key Products

- AC/DC drives & systems
- Electric actuators
- Controllers
- Gantry robots
- Gearheads
- Human machine interfaces
- Industrial PCs
- Inverters
- Linear motors, slides and stages
- Precision stages
- Stepper motors
- Servo motors, drives & controls
- Structural extrusions



## FILTRATION

### Key Markets

- Food & beverage
- Industrial machinery
- Life sciences
- Marine
- Mobile equipment
- Oil & gas
- Power generation
- Process
- Transportation

### Key Products

- Analytical gas generators
- Compressed air & gas filters
- Condition monitoring
- Engine air, fuel & oil filtration & systems
- Hydraulic, lubrication & coolant filters
- Process, chemical, water & microfiltration filters
- Nitrogen, hydrogen & zero air generators



## FLUID & GAS HANDLING

### Key Markets

- Aerospace
- Agriculture
- Bulk chemical handling
- Construction machinery
- Food & beverage
- Fuel & gas delivery
- Industrial machinery
- Mobile
- Oil & gas
- Transportation
- Welding

### Key Products

- Brass fittings & valves
- Diagnostic equipment
- Fluid conveyance systems
- Industrial hose
- PTFE & PFA hose, tubing & plastic fittings
- Rubber & thermoplastic hose & couplings
- Tube fittings & adapters
- Quick disconnects



## HYDRAULICS

### Key Markets

- Aerospace
- Aerial lift
- Agriculture
- Construction machinery
- Forestry
- Industrial machinery
- Mining
- Oil & gas
- Power generation & energy
- Truck hydraulics

### Key Products

- Diagnostic equipment
- Hydraulic cylinders
- Hydraulic cylinders & accumulators
- Hydraulic motors & pumps
- Hydraulic systems
- Hydraulic valves & controls
- Power take-offs
- Rubber & thermoplastic hose & couplings
- Tube fittings & adapters
- Quick disconnects



## PNEUMATICS

### Key Markets

- Aerospace
- Conveyor & material handling
- Factory automation
- Food & beverage
- Life science & medical
- Machine tools
- Packaging machinery
- Transportation & automotive

### Key Products

- Air preparation
- Compact cylinders
- Field bus valve systems
- Grippers
- Guided cylinders
- Manifolds
- Miniature fluidics
- Pneumatic accessories
- Pneumatic actuators & grippers
- Pneumatic valves and controls
- Rodless cylinders
- Rotary actuators
- Tie rod cylinders
- Vacuum generators, cups & sensors



## PROCESS CONTROL

### Key Markets

- Chemical & refining
- Food, beverage & dairy
- Medical & dental
- Microelectronics
- Oil & gas
- Power generation

### Key Products

- Analytical sample conditioning products & systems
- Fluoropolymer chemical delivery fittings, valves & pumps
- High purity gas delivery fittings, valves & regulators
- Instrumentation fittings, valves & regulators
- Medium pressure fittings & valves
- Process control manifolds



## SEALING & SHIELDING

### Key Markets

- Aerospace
- Chemical processing
- Consumer
- Energy, oil & gas
- Fluid power
- General industrial
- Information technology
- Life sciences
- Military
- Semiconductor
- Telecommunications
- Transportation

### Key Products

- Dynamic seals
- Elastomeric o-rings
- EMI shielding
- Extruded & precision-cut, fabricated elastomeric seals
- Homogeneous & inserted elastomeric shapes
- High temperature metal seals
- Metal & plastic retained composite seals
- Thermal management



ENGINEERING YOUR SUCCESS.

# Parker Worldwide

**AE - UAE, Dubai**  
Tel: +971 4 8127100  
parker.me@parker.com

**AR - Argentina, Buenos Aires**  
Tel: +54 3327 44 4129

**AT - Austria, Wiener Neustadt**  
Tel: +43 (0)2622 23501-0  
parker.austria@parker.com

**AT - Eastern Europe, Wiener Neustadt**  
Tel: +43 (0)2622 23501 900  
parker.easteurope@parker.com

**AU - Australia, Castle Hill**  
Tel: +61 (0)2-9634 7777

**AZ - Azerbaijan, Baku**  
Tel: +994 50 2233 458  
parker.azerbaijan@parker.com

**BE/LU - Belgium, Nivelles**  
Tel: +32 (0)67 280 900  
parker.belgium@parker.com

**BR - Brazil, Cachoeirinha RS**  
Tel: +55 51 3470 9144

**BY - Belarus, Minsk**  
Tel: +375 17 209 9399  
parker.belarus@parker.com

**CA - Canada, Milton, Ontario**  
Tel: +1 905 693 3000

**CH - Switzerland, Etoy**  
Tel: +41 (0)21 821 87 00  
parker.switzerland@parker.com

**CL - Chile, Santiago**  
Tel: +56 2 623 1216

**CN - China, Shanghai**  
Tel: +86 21 2899 5000

**CZ - Czech Republic, Klecany**  
Tel: +420 284 083 111  
parker.czechrepublic@parker.com

**DE - Germany, Kaarst**  
Tel: +49 (0)2131 4016 0  
parker.germany@parker.com

**DK - Denmark, Ballerup**  
Tel: +45 43 56 04 00  
parker.denmark@parker.com

**ES - Spain, Madrid**  
Tel: +34 902 330 001  
parker.spain@parker.com

**FI - Finland, Vantaa**  
Tel: +358 (0)20 753 2500  
parker.finland@parker.com

**FR - France, Contamine s/Arve**  
Tel: +33 (0)4 50 25 80 25  
parker.france@parker.com

**GR - Greece, Athens**  
Tel: +30 210 933 6450  
parker.greece@parker.com

**HK - Hong Kong**  
Tel: +852 2428 8008

**HU - Hungary, Budapest**  
Tel: +36 1 220 4155  
parker.hungary@parker.com

**IE - Ireland, Dublin**  
Tel: +353 (0)1 466 6370  
parker.ireland@parker.com

**IN - India, Mumbai**  
Tel: +91 22 6513 7081-85

**IT - Italy, Corsico (MI)**  
Tel: +39 02 45 19 21  
parker.italy@parker.com

**JP - Japan, Tokyo**  
Tel: +81 (0)3 6408 3901

**KR - South Korea, Seoul**  
Tel: +82 2 559 0400

**KZ - Kazakhstan, Almaty**  
Tel: +7 7272 505 800  
parker.easteurope@parker.com

**LV - Latvia, Riga**  
Tel: +371 6 745 2601  
parker.latvia@parker.com

**MX - Mexico, Apodaca**  
Tel: +52 81 8156 6000

**MY - Malaysia, Shah Alam**  
Tel: +60 3 7849 0800

**NL - The Netherlands, Oldenzaal**  
Tel: +31 (0)541 585 000  
parker.nl@parker.com

**NO - Norway, Ski**  
Tel: +47 64 91 10 00  
parker.norway@parker.com

**NZ - New Zealand, Mt Wellington**  
Tel: +64 9 574 1744

**PL - Poland, Warsaw**  
Tel: +48 (0)22 573 24 00  
parker.poland@parker.com

**PT - Portugal, Leca da Palmeira**  
Tel: +351 22 999 7360  
parker.portugal@parker.com

**RO - Romania, Bucharest**

Tel: +40 21 252 1382  
parker.romania@parker.com

**RU - Russia, Moscow**  
Tel: +7 495 645-2156  
parker.russia@parker.com

**SE - Sweden, Spånga**  
Tel: +46 (0)8 59 79 50 00  
parker.sweden@parker.com

**SG - Singapore**  
Tel: +65 6887 6300

**SK - Slovakia, Banská Bystrica**  
Tel: +421 484 162 252  
parker.slovakia@parker.com

**SL - Slovenia, Novo Mesto**  
Tel: +386 7 337 6650  
parker.slovenia@parker.com

**TH - Thailand, Bangkok**  
Tel: +662 717 8140

**TR - Turkey, Istanbul**  
Tel: +90 216 4997081  
parker.turkey@parker.com

**TW - Taiwan, Taipei**  
Tel: +886 2 2298 8987

**UA - Ukraine, Kiev**  
Tel: +380 44 494 2731  
parker.ukraine@parker.com

**UK - United Kingdom, Warwick**  
Tel: +44 (0)1926 317 878  
parker.uk@parker.com

**US - USA, Cleveland**  
Tel: +1 216 896 3000

**VE - Venezuela, Caracas**  
Tel: +58 212 238 5422

**ZA - South Africa, Kempton Park**  
Tel: +27 (0)11 961 0700  
parker.southafrica@parker.com

European Product Information Centre  
Free phone: 00 800 27 27 5374  
(from AT, BE, CH, CZ, DE, EE, ES, FI, FR, IE, IL, IS, IT, LU, MT, NL, NO, PT, SE, SK, UK)

© 2009 Parker Hannifin Corporation.  
All rights reserved.



**Parker Hannifin Ltd.**  
Tachbrook Park Drive  
Tachbrook Park, Warwick CV34 6TU  
United Kingdom  
Tel.: +44 (0) 1926 317 878  
Fax: +44 (0) 1926 317 855  
parker.uk@parker.com  
www.parker.com

Catalogue 8801/UK - 04/2010 - TMCZ

Your local authorized Parker distributor